

Flange Version - Type EFK-F & EFG-F

DESCRIPTION

The new EBE ECOFLOW venturi orifice steam trap range is designed to meet the rigorous requirements demanded by today's industrial plant users. Developed on a modular concept, the trap encompasses a wide range of capacities, from minimal condensate flow requirements on line drainage and trace heating systems, through to the high flow volumes and variable loads of process heating applications. The trap's unique innovative design allows for both these conditions to be serviced within the same flanged body.

The new EBE ECOFLOW is the first fully cast, flanged, variable orifice steam trap to be available to the market. Delivering permanent solutions for all steam trapping requirements. The venturi orifice technology forms part of your total steam system pipework. With no moving parts it is integral with this system and will never need replacement.

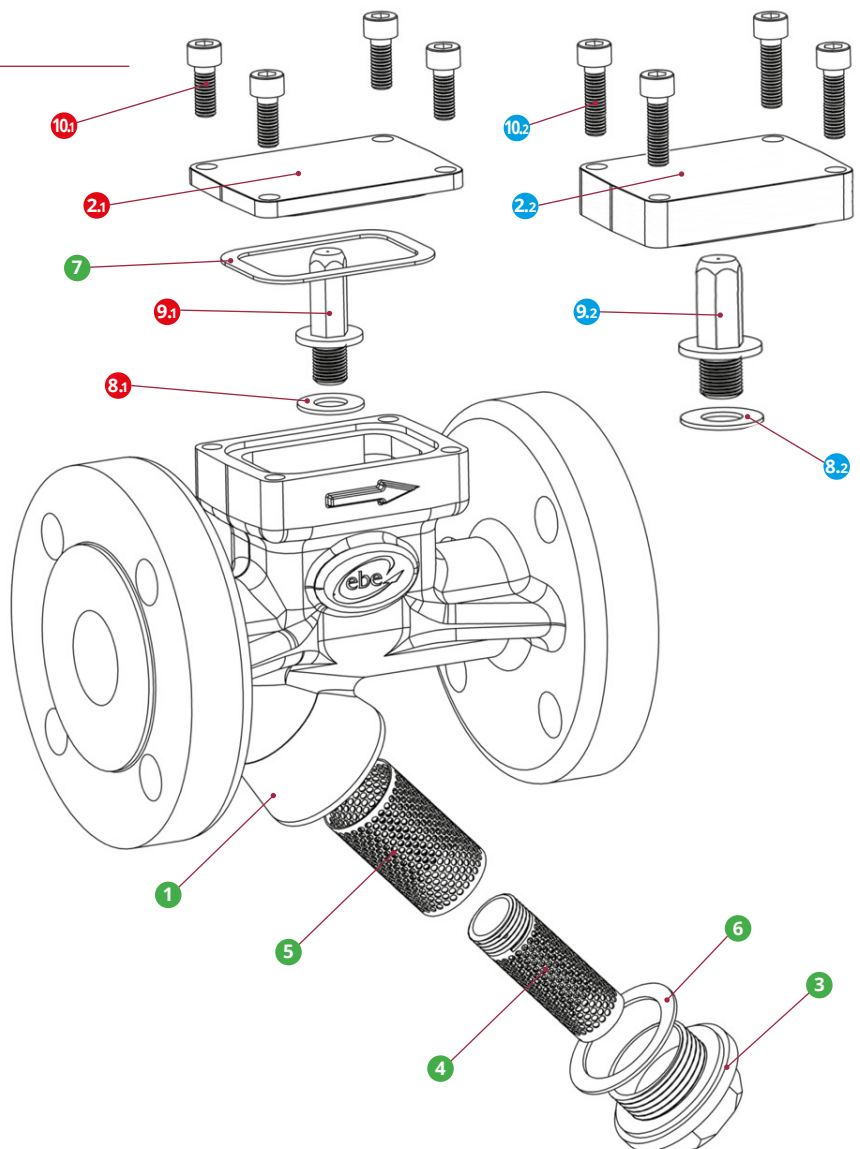
FEATURES

- Unique modular design for low and high condensate flow
- Multiple nozzle configurations designed for optimum efficiency at operating point.
- Fully cast flanged housing eliminates any weld joints and guarantees pressure integrity
- Flexible filtration options, increased secondary filtration available for contaminated systems
- Graphite seals metal bonded and fully encapsulated to eliminate leakages
- All face to face dimensions in accordance with ISO 26554 / EN26554
- In line constructions allows for removal and cleaning of filters and nozzles

ASSEMBLY

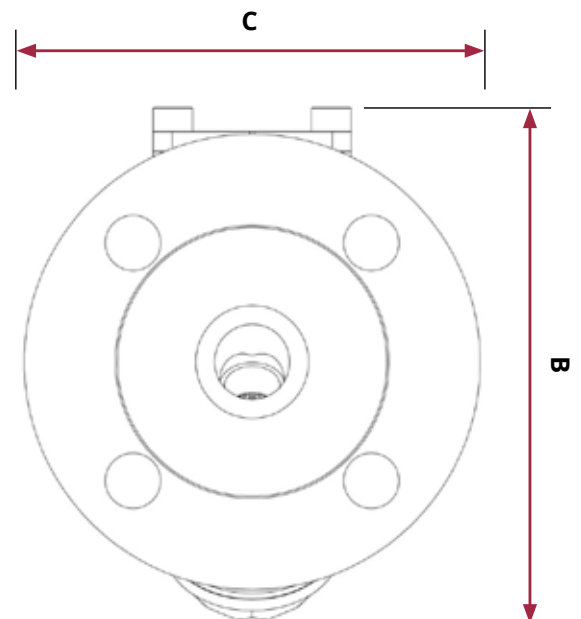
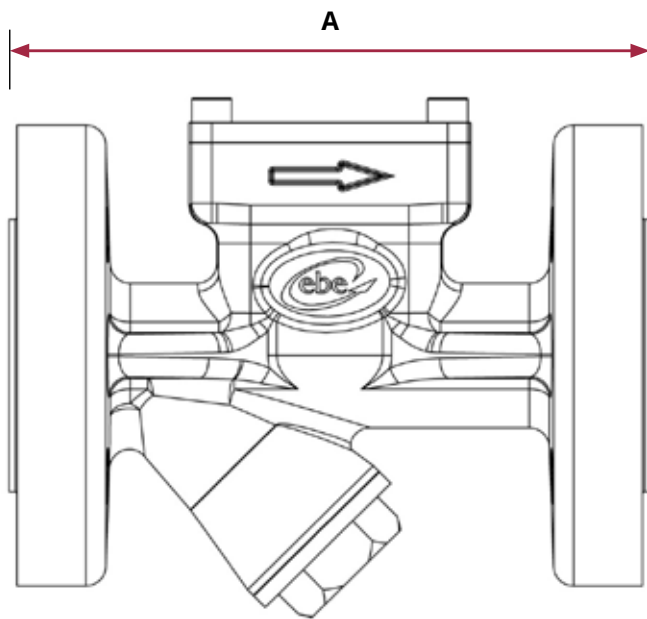
NO. PART

- 1 Flanged Body**
ASTM 304 SS (DIN 1.4308 Equivalent)
- 2.1 Top Cap (EFK)**
- 2.2 Top Cap (EFG)**
ASTM 304 SS (DIN 1.4308 Equivalent)
- 3 Filter Cap**
ASTM 304 SS (DIN 1.4308 Equivalent)
- 4 Optional Contaminated System Filter**
800 Micron SS reinforced 304 SS (DIN 1.4301 Equivalent)
- 5 Principal Filter**
400 or 800 Micron SS reinforced 304 SS and 304L SS (DIN 1.4301 and 1.4306 Equivalent)
- 6 Strainer Gasket**
Metal reinforced graphite
- 7 Gasket**
Metal reinforced graphite
- 8.1 Variable Nozzle Gasket (EFK)**
- 8.2 Variable Nozzle Gasket (EFG)**
Metal reinforced graphite
- 9.1 Variable Nozzle (EFK)**
- 9.2 Variable Nozzle (EFG)**
ASTM 304 SS (DIN 1.4404 Equivalent)
- 10.1 Top Cap retaining screws (EFK)**
M6 x 16 hex socket heads (ISO 4762 / DIN912)
- 10.2 Top Cap retaining screws (EFG)**
M6 x 25 hex socket heads (ISO 4762 / DIN912)



Flange Version - Type EFK-F & EFG-F *continued*

DIMENSIONS AND WEIGHTS



Type EFK-F					
Size	Connection	A	B	C	Approx Weight
DN15	Flange Form B PN40	150 mm	130 mm	95 mm	5.2 kg
DN20	Flange Form B PN40	150 mm	130 mm	105 mm	5.7 kg
DN25	Flange Form B PN40	160 mm	130 mm	115 mm	6.2 kg

Type EFG-F					
Size	Connection	A	B	C	Approx Weight
DN15	Flange Form B PN40	150 mm	145 mm	95 mm	5.5 kg
DN20	Flange Form B PN40	150 mm	145 mm	105 mm	6.0 kg
DN25	Flange Form B PN40	160 mm	145 mm	115 mm	6.5 kg

SIZES AND CONNECTIONS

DN15; DN20; DN25

Face to face dimensions in conformance to DIN EN 26554 (ISO 6554) Series 1

Flanges Conforming to EN 1092-1 form B PN40 as standard

Higher pressure flanges or ASME available on request at additional cost

PRESSURE / TEMPERATURE LIMITS

PMA (Maximum Allowable Pressure)	80 bar g
TMA (Maximum Allowable Temperature)	400°C
PMO (Maximum Operating Pressure)	65 bar g
TMO (Maximum Operating Temperature)	350°C
Cold hydraulic test pressure	100 bar g

CERTIFICATION

- All steam traps carry a ten year performance guarantee
- Material inspection Certificate, in accordance to DIN EN 10204: 3:1, available on request
- Pressure test certificates, in accordance to European Pressure Equipment Directive 2014/68/EU, available on request

All certification delivered at additional cost
 Certification requirements to be stated at time of order

Optional extras

ISOJAG Nomex material insulation jacket. See separate technical Data Sheet for specifications

Contaminated system filter for low flow and small nozzle sizes

We reserve the right to make technical and design changes to the descriptions and specifications in our Data Sheets, catalogues or similar sales documents in the same or better quality and we may exchange parts and components against such of same or better technical standards; for the Customer no rights will arise resulting from this Conduct.